

N.P.C.A. CERTIFIED PLANT  
&  
MEMBER OF:  
NATIONAL & WISCONSIN PRECAST CONCRETE ASSOCIATIONS

THIS DRAWING SHALL NOT  
BE COPIED OR SUBMITTED  
TO OTHERS WITHOUT THE  
CONSENT OF THIS COMPANY.

**HUFFCUTT** CONCRETE, INC. 4154 123rd STREET  
CHIPPEWA FALLS, WI 54729  
(715) 723-7446 \* FAX (715) 723-7111 \* (800) 924-1516 \* www.huffcutt.com

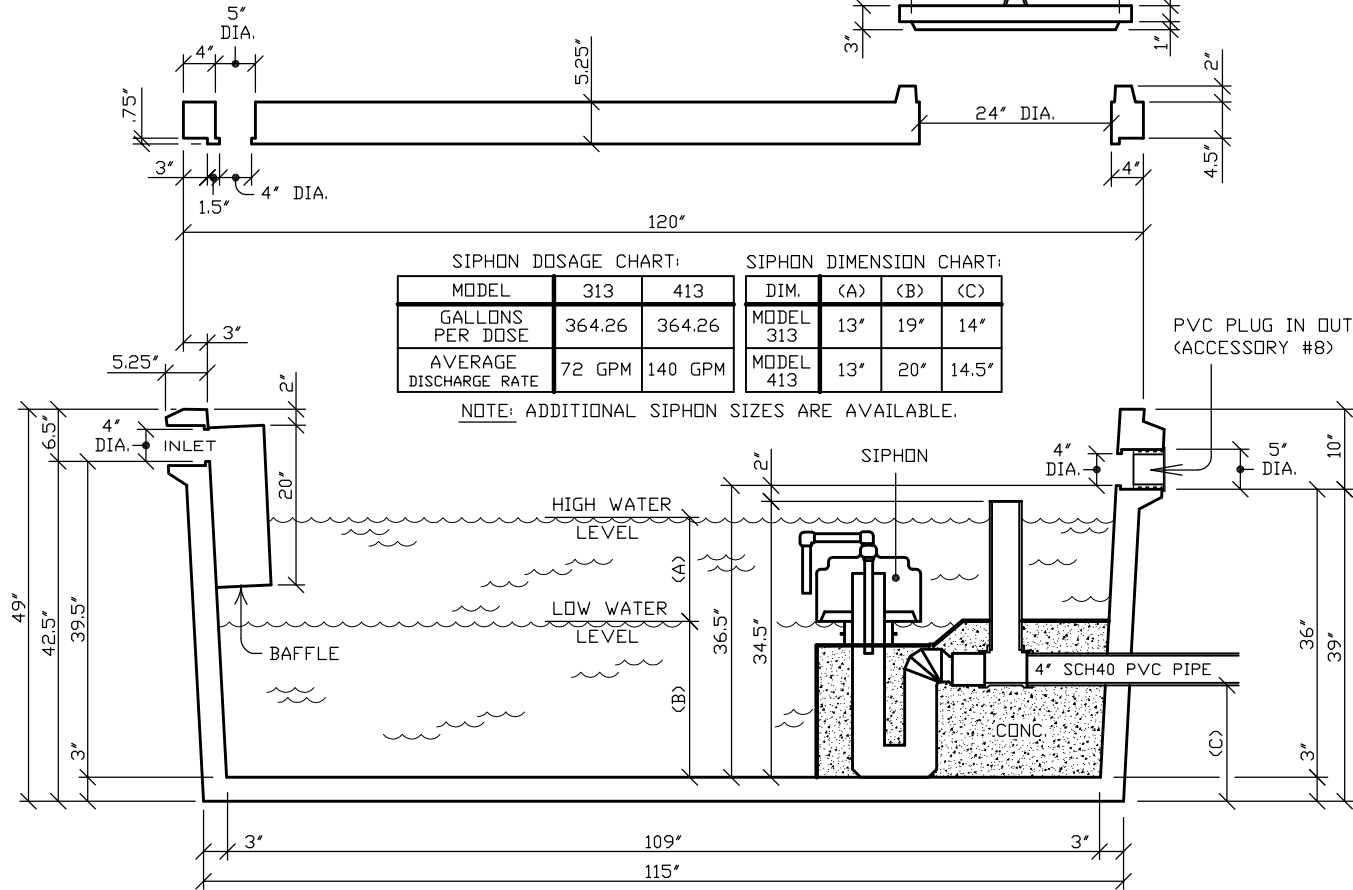
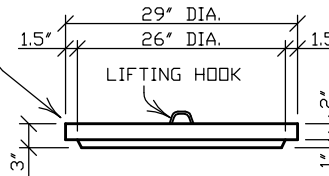
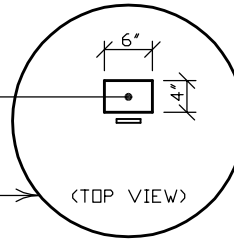
TANK:  
1,000 GAL. LDW PROFILE  
WITH SIPHON  
(PUMP, SEPTIC, DR HOLD)

WARNING LABEL EMBEDDED INTO  
CONCRETE COVER READS AS FOLLOWS:

CAUTION:  
DO NOT ENTER WITHOUT PROPER VENTILATION.  
COULD CAUSE DEATH...DANGEROUS GAS.

29" DIAMETER CONCRETE COVER (TYPICAL)

SEE "ACCESSORIES" FOR OTHER COVER OPTIONS



SIPHON DOSAGE CHART:

MODEL	313	413
GALLONS PER DOSE	364.26	364.26
AVERAGE DISCHARGE RATE	72 GPM	140 GPM

SIPHON DIMENSION CHART:

DIM.	(A)	(B)	(C)
MODEL 313	13"	19"	14"
MODEL 413	13"	20"	14.5"

NOTE: ADDITIONAL SIPHON SIZES ARE AVAILABLE.

**SECTION**  
(TANK BASE, TOP, & COVER)

GAL. PER INCH = 24.6  
LIQUID CAP. = 1,037 GAL.  
MAX. LIQUID CAP. = 1,121 GAL.  
(BELOW INLET)

N.P.C.A. CERTIFIED PLANT  
&  
MEMBER OF:  
NATIONAL & WISCONSIN PRECAST CONCRETE ASSOCIATIONS

THIS DRAWING SHALL NOT  
BE COPIED OR SUBMITTED  
TO OTHERS WITHOUT THE  
CONSENT OF THIS COMPANY.

**HUFFCUTT**  
CONCRETE, INC. 4154 123rd STREET  
CHIPPEWA FALLS, WI 54729  
(715) 723-7446 \* FAX (715) 723-7111 \* (800) 924-1516 \* www.huffcutt.com

TANK:  
1,000 GAL. LOW PROFILE  
WITH SIPHON  
(PUMP, SEPTIC, DR HOLD)

