

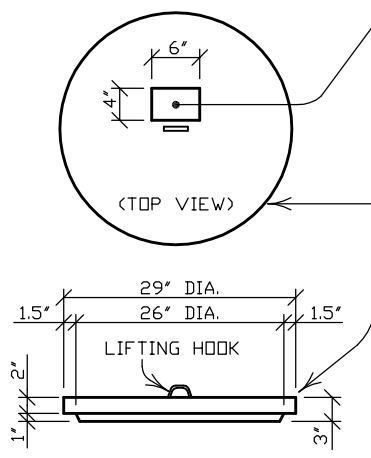
N.P.C.A. CERTIFIED PLANT  
&  
MEMBER OF:  
NATIONAL & WISCONSIN PRECAST CONCRETE ASSOCIATIONS

THIS DRAWING SHALL NOT  
BE COPIED OR SUBMITTED  
TO OTHERS WITHOUT THE  
CONSENT OF THIS COMPANY.

**HUFFCUTT** CONCRETE, INC. 4154 123rd STREET  
CHIPPEWA FALLS, WI 54729  
(715) 723-7446 \* FAX (715) 723-7111 \* (800) 924-1516 \* www.huffcutt.com

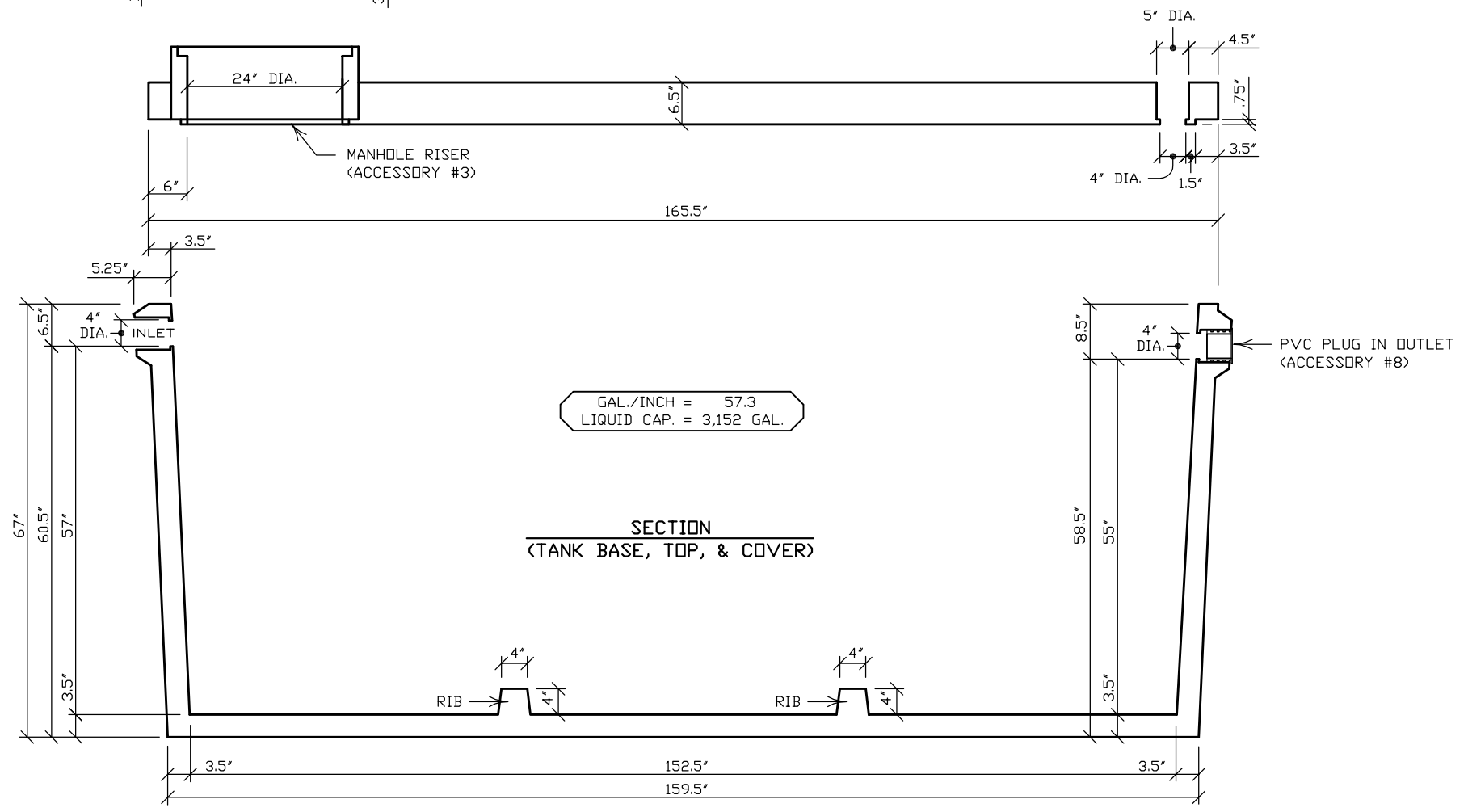
TANK:  
3,000 H.D. LOW PROFILE  
PUMP DR. HOLDING TANK

1  
R  
N



WARNING LABEL EMBEDDED INTO CONCRETE COVER READS AS FOLLOWS:  
 CAUTION:  
 DO NOT ENTER WITHOUT PROPER VENTILATION.  
 COULD CAUSE DEATH...DANGEROUS GAS.

29" DIAMETER CONCRETE COVER (TYPICAL)  
 SEE "ACCESSORIES" FOR OTHER COVER OPTIONS



GAL./INCH = 57.3  
 LIQUID CAP. = 3,152 GAL.

SECTION  
 (TANK BASE, TOP, & COVER)

N.P.C.A. CERTIFIED PLANT  
 &  
 MEMBER OF:  
 NATIONAL & WISCONSIN PRECAST CONCRETE ASSOCIATIONS

THIS DRAWING SHALL NOT BE COPIED OR SUBMITTED TO OTHERS WITHOUT THE CONSENT OF THIS COMPANY.

**HUFFCUTT** CONCRETE, INC. 4154 123rd STREET  
 CHIPPEWA FALLS, WI 54729  
 (715) 723-7446 \* FAX (715) 723-7111 \* (800) 924-1516 \* www.huffcutt.com

TANK:  
 3,000 H.D. LOW PROFILE  
 PUMP DR HOLDING TANK

