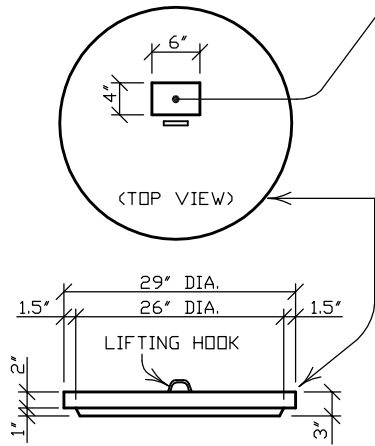


N.P.C.A. CERTIFIED PLANT
&
MEMBER OF:
NATIONAL & WISCONSIN PRECAST CONCRETE ASSOCIATIONS

THIS DRAWING SHALL NOT
BE COPIED OR SUBMITTED
TO OTHERS WITHOUT THE
CONSENT OF THIS COMPANY.

HUFFCUTT CONCRETE, INC. 4154 123rd STREET
CHIPPEWA FALLS, WI 54729
(715) 723-7446 * FAX (715) 723-7111 * (800) 924-1516 * www.huffcutt.com

TANK:
2,500 GAL. LOW PROFILE
PUMP DR. HOLDING TANK



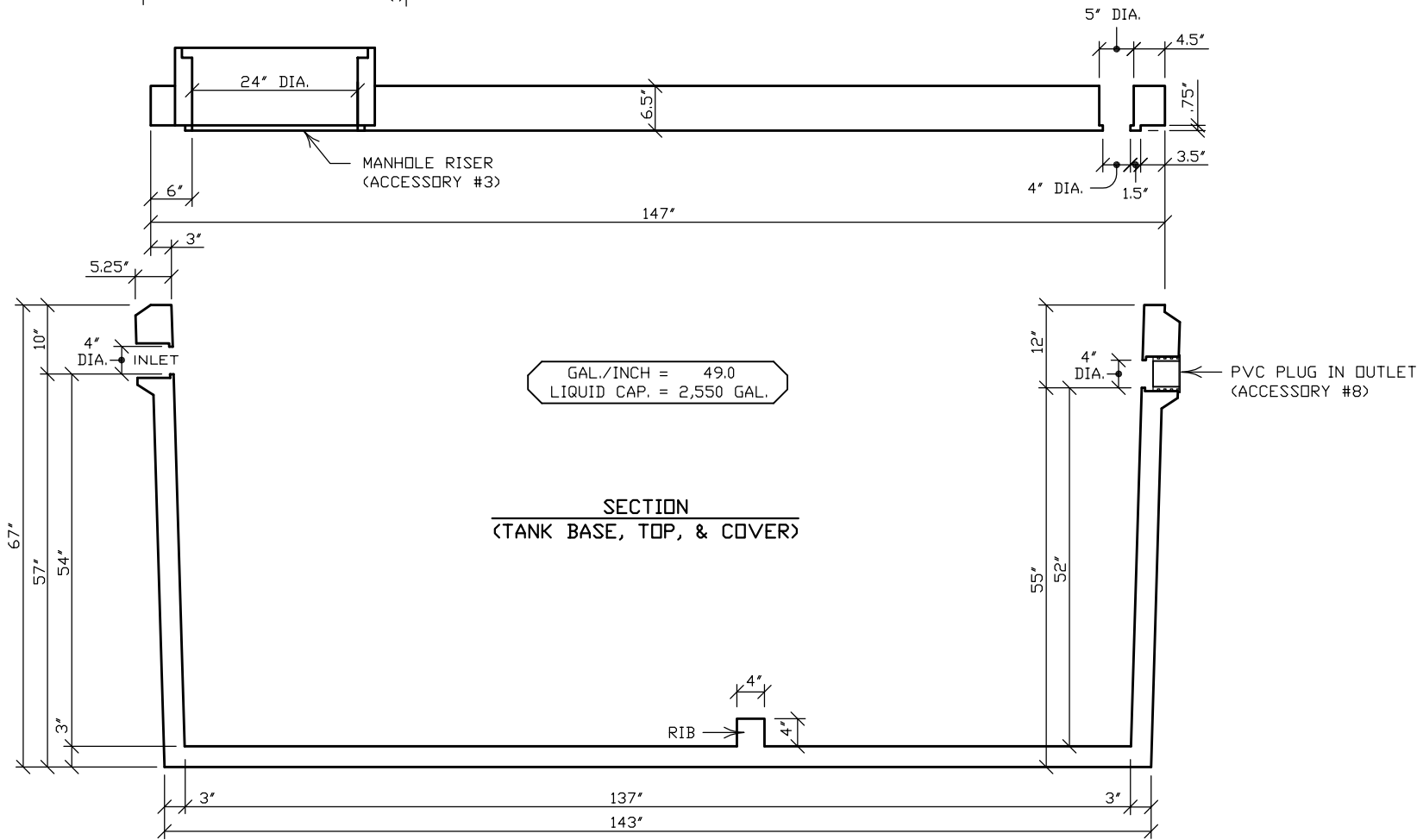
WARNING LABEL EMBEDDED INTO
CONCRETE COVER READS AS FOLLOWS:

CAUTION:
DO NOT ENTER WITHOUT PROPER VENTILATION.
COULD CAUSE DEATH...DANGEROUS GAS.

(TOP VIEW)

29" DIAMETER CONCRETE COVER (TYPICAL)

SEE "ACCESSORIES" FOR OTHER COVER OPTIONS



N.P.C.A. CERTIFIED PLANT
&
MEMBER OF:
NATIONAL & WISCONSIN PRECAST CONCRETE ASSOCIATIONS

THIS DRAWING SHALL NOT
BE COPIED OR SUBMITTED
TO OTHERS WITHOUT THE
CONSENT OF THIS COMPANY.

HUFFCUTT CONCRETE, INC. 4154 123rd STREET
CHIPPEWA FALLS, WI 54729
(715) 723-7446 * FAX (715) 723-7111 * (800) 924-1516 * www.huffcutt.com

TANK:
2,500 GAL. LOW PROFILE
PUMP DR. HOLDING TANK

