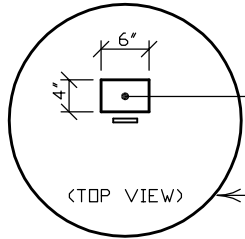
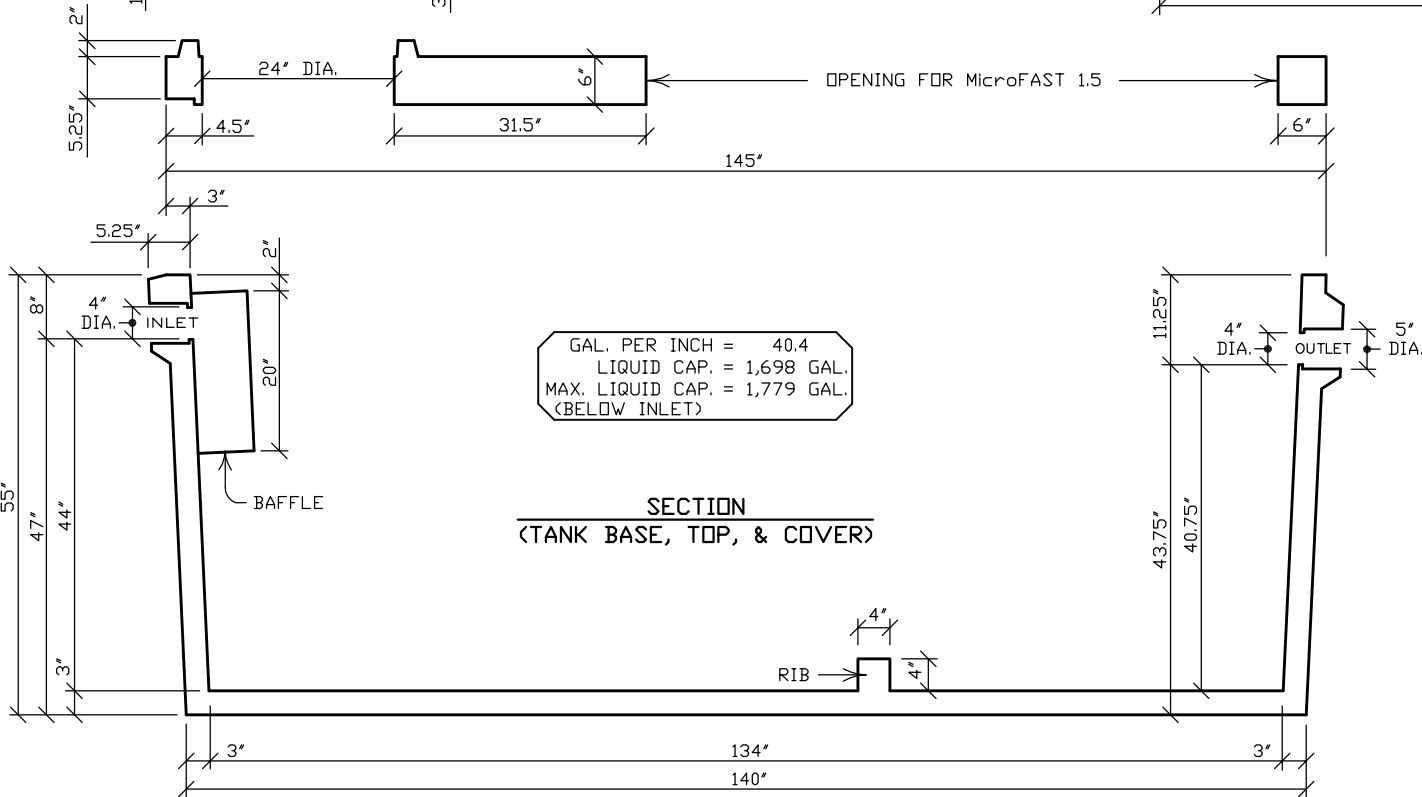
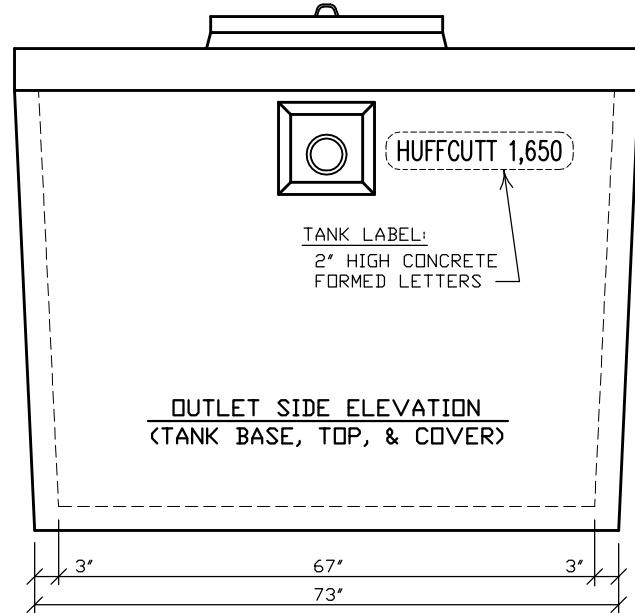
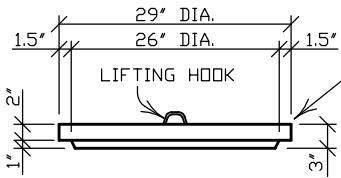


NOTE: MAX. DEPTH OF BURY = 48" FROM TOP OF GRADE TO TOP OF COVER



WARNING LABEL EMBEDDED INTO CONCRETE COVER READS AS FOLLOWS:
CAUTION:
 DO NOT ENTER WITHOUT PROPER VENTILATION.
 COULD CAUSE DEATH...DANGEROUS GAS.

29" DIAMETER CONCRETE COVER (TYPICAL)
 SEE "ACCESSORIES" FOR OTHER COVER OPTIONS



GAL. PER INCH = 40.4
 LIQUID CAP. = 1,698 GAL.
 MAX. LIQUID CAP. = 1,779 GAL.
 (BELOW INLET)

SECTION
 (TANK BASE, TOP, & COVER)

N.P.C.A. CERTIFIED PLANT
 &
 MEMBER OF:
 NATIONAL & WISCONSIN PRECAST CONCRETE ASSOCIATIONS

THIS DRAWING SHALL NOT BE COPIED OR SUBMITTED TO OTHERS WITHOUT THE CONSENT OF THIS COMPANY.

HUFFCUTT
 CONCRETE, INC.
 4154 123rd STREET
 CHIPPEWA FALLS, WI 54729
 (715) 723-7446 * FAX (715) 723-7111 * (800) 924-1516 * www.huffcutt.com

TANK:
 MicroFAST 1.5
 1650

