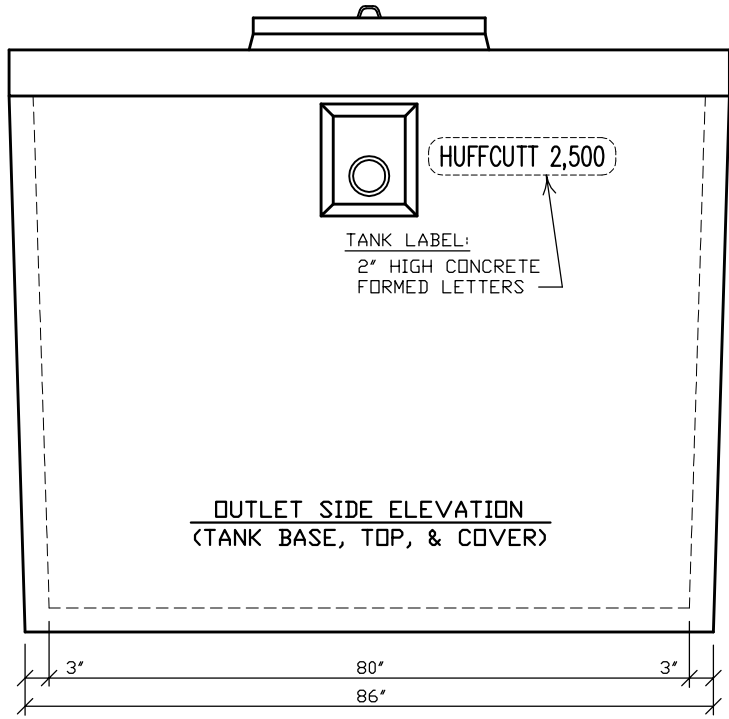


FLOOR PLAN
(TANK BASE)

NOTE: ADDITIONAL BAFFLE FOR GREASE INTERCEPTOR.



OUTLET SIDE ELEVATION
(TANK BASE, TOP, & COVER)

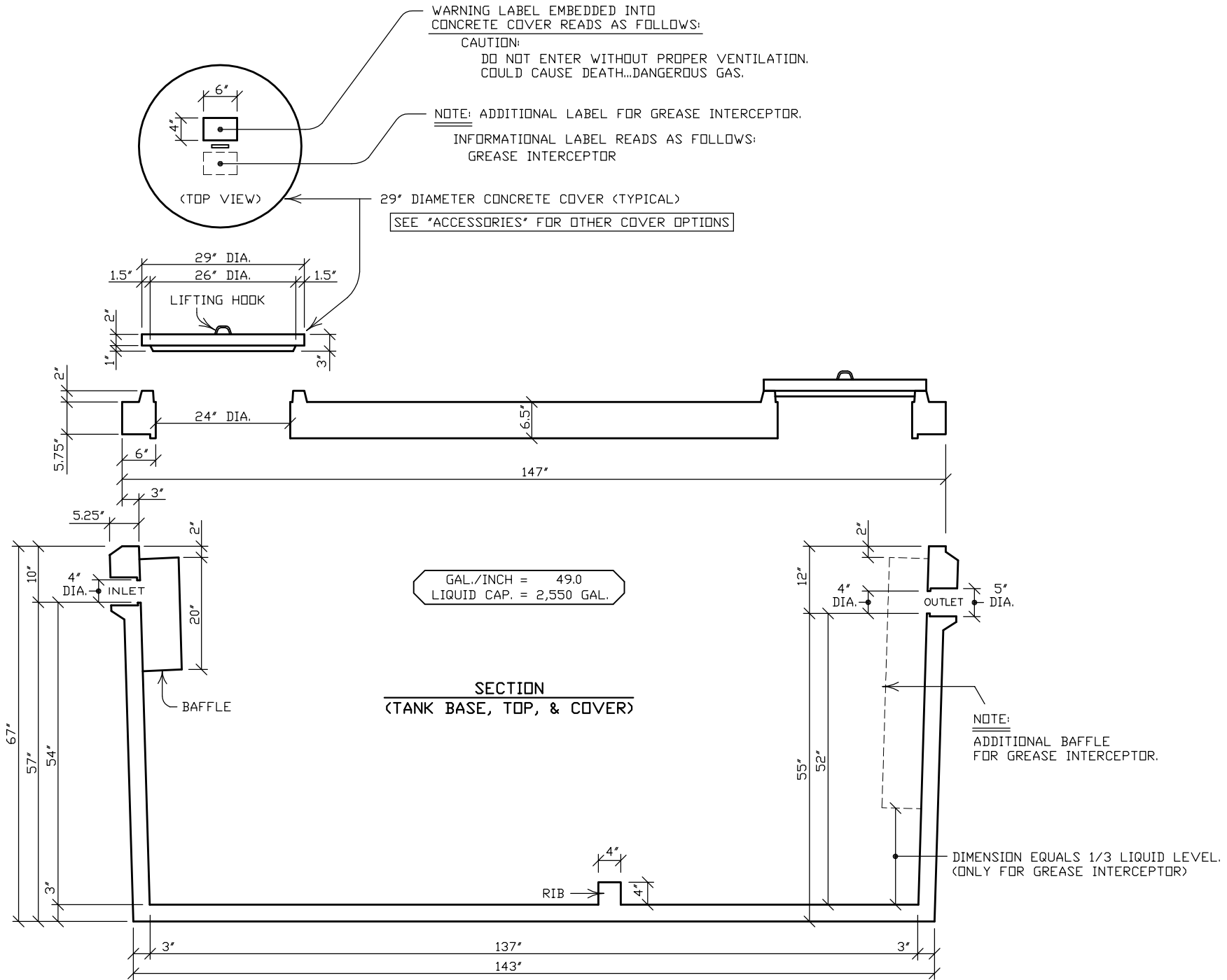
N.P.C.A. CERTIFIED PLANT
&
MEMBER OF:
NATIONAL & WISCONSIN PRECAST CONCRETE ASSOCIATIONS

THIS DRAWING SHALL NOT
BE COPIED OR SUBMITTED
TO OTHERS WITHOUT THE
CONSENT OF THIS COMPANY.

HUFFCUTT CONCRETE, INC. 4154 123rd STREET
CHIPPEWA FALLS, WI 54729
(715) 723-7446 * FAX (715) 723-7111 * (800) 924-1516 * www.huffcutt.com

TANK:
2,500 GAL. LOW PROFILE
SEPTIC OR
GREASE INTERCEPTOR

1
R
N



THIS DRAWING SHALL NOT
 BE COPIED OR SUBMITTED
 TO OTHERS WITHOUT THE
 CONSENT OF THIS COMPANY.

