

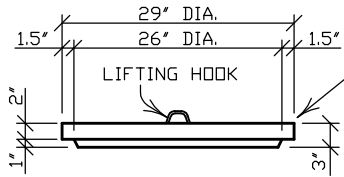
WARNING LABEL EMBEDDED INTO CONCRETE COVER READS AS FOLLOWS:

CAUTION:
DO NOT ENTER WITHOUT PROPER VENTILATION.
COULD CAUSE DEATH...DANGEROUS GAS.

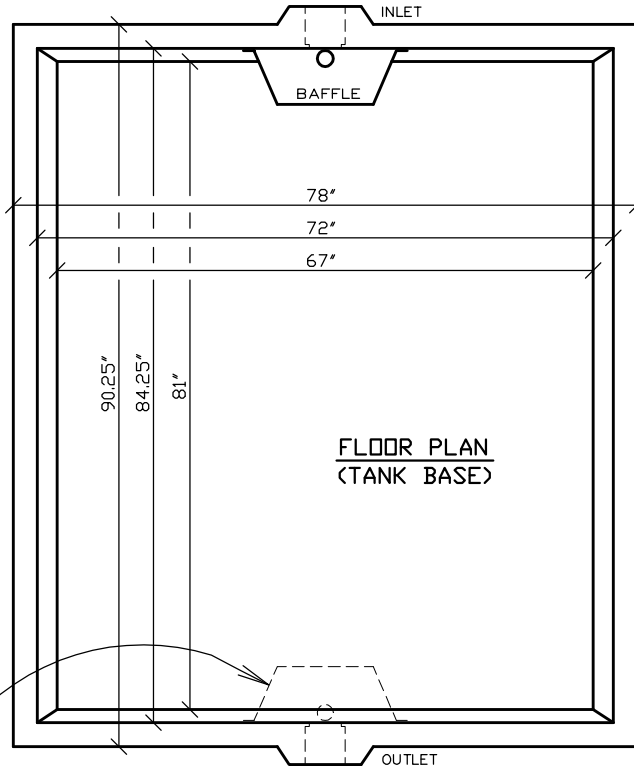
NOTE: ADDITIONAL LABEL FOR GREASE INTERCEPTOR.
INFORMATIONAL LABEL READS AS FOLLOWS:
GREASE INTERCEPTOR

29" DIAMETER CONCRETE COVER (TYPICAL)

SEE "ACCESSORIES" FOR OTHER COVER OPTIONS

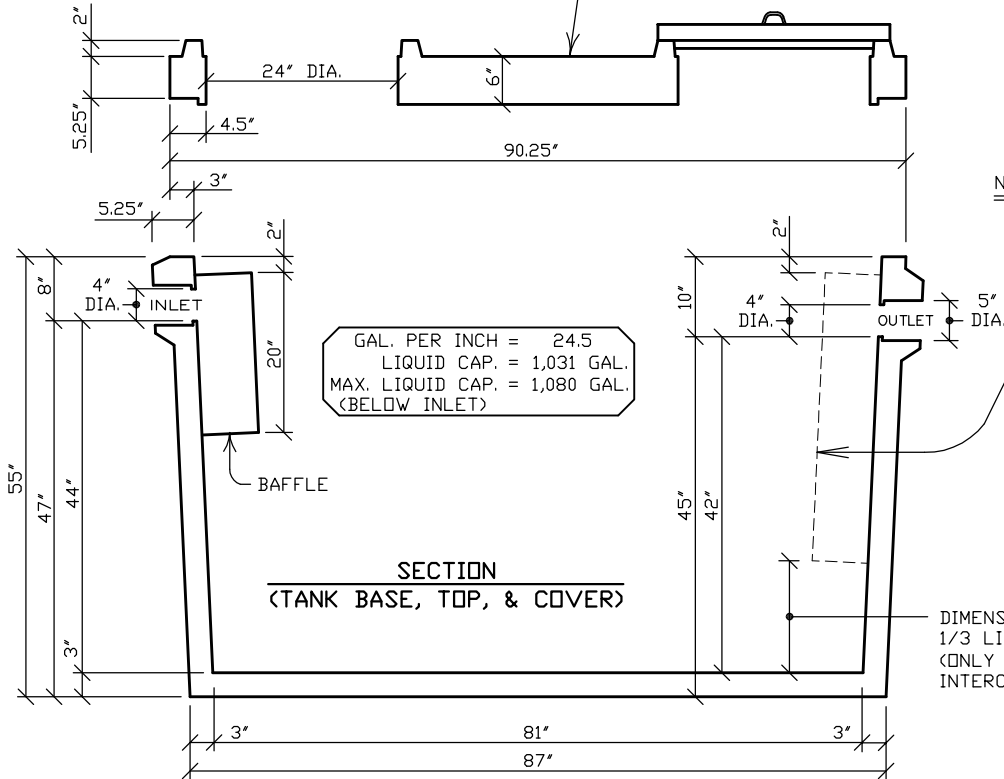


NOTE: THIS DRAWING REPRESENTS A SEPTIC TANK.
SEE ACCESSORY #11 FOR OPENINGS LOCATED
IN THE TOP OF A HOLDING TANK.



FLOOR PLAN
(TANK BASE)

NOTE: ADDITIONAL BAFFLE
FOR GREASE INTERCEPTOR.



GAL. PER INCH = 24.5
LIQUID CAP. = 1,031 GAL.
MAX. LIQUID CAP. = 1,080 GAL.
(BELOW INLET)

SECTION
(TANK BASE, TOP, & COVER)

DIMENSION EQUALS
1/3 LIQUID LEVEL.
(ONLY FOR GREASE
INTERCEPTOR)

