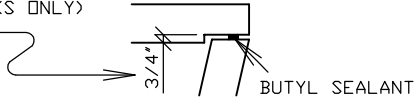
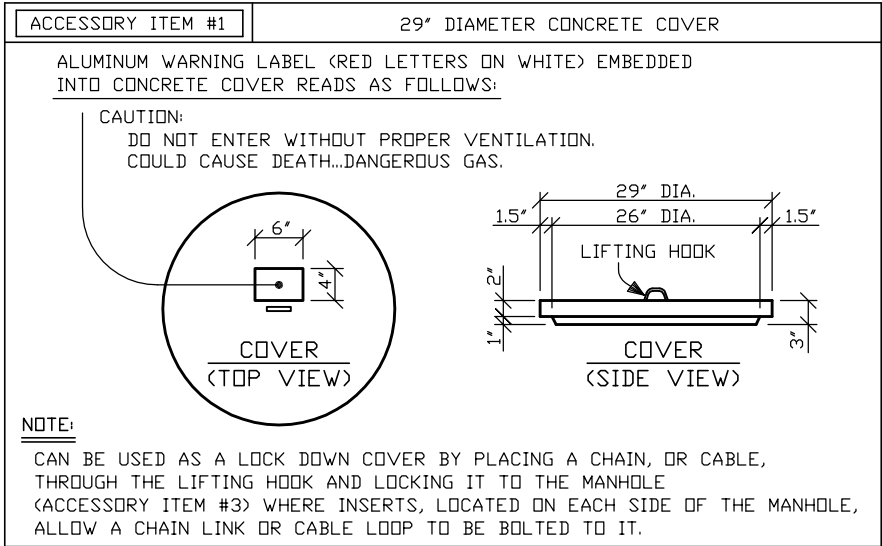
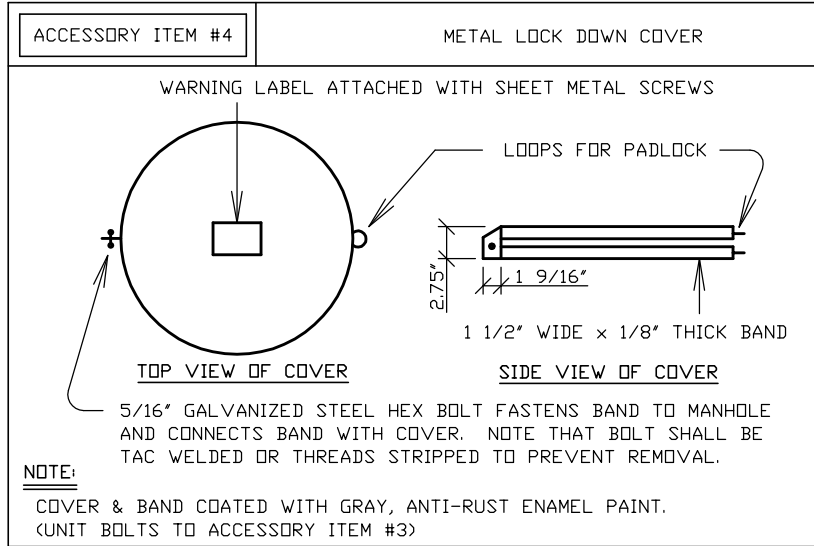
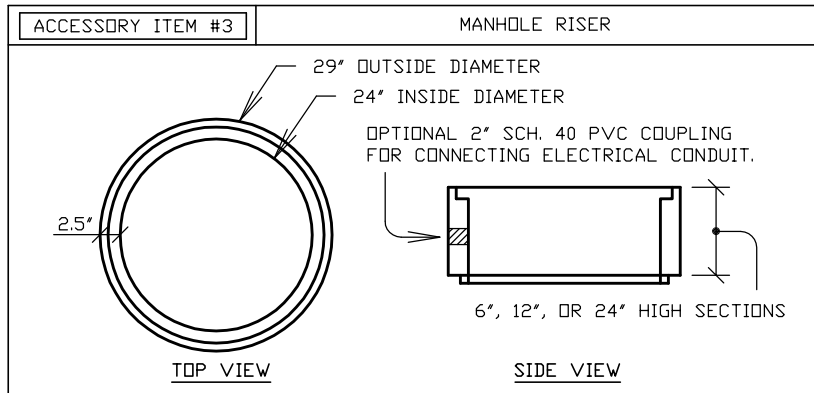
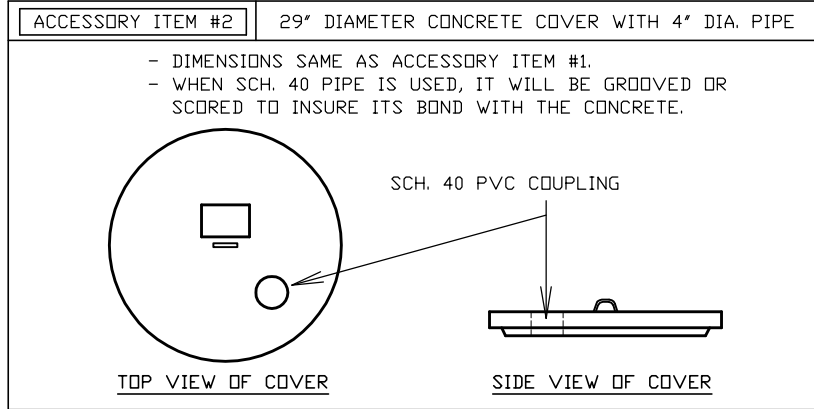


TANK SPECIFICATIONS:

- 2" MINIMUM CLEARANCE BETWEEN TOP OF BAFFLE AND BOTTOM OF COVER.
- OPTIONAL OPENING FOR INLET AND OUTLET USING 4", 6", OR 8" DIAMETER PVC OR CAST IRON PIPE. (SAME SIZE ON EACH SIDE)
- OPTIONAL OPENING IN BOTTOM OF TANK USING 4", 6", OR 8" DIAMETER PVC OR CAST IRON PIPE. (FOR HOLDING TANKS ONLY)
- TYPICAL COVER & TOP OF TANK JOINT
 
- TANK USED AS GREASE INTERCEPTOR:
 - THE WARNING LABEL ON ACCESSORY ITEM #1 IS ACCOMPANIED BY AN IDENTICAL SIZED LABEL READING "GREASE INTERCEPTOR".
 - INLET BAFFLE EXTENDS 1/3 BELOW WATERLINE AND OUTLET BAFFLE EXTENDS 2/3 BELOW WATERLINE.
 - TOP OF INLET AND OUTLET BAFFLES ARE LOCATED 2" BELOW BOTTOM OF TANK COVER.
 - HEIGHT OF INLET AND OUTLET BAFFLES ABOVE LIQUID LEVEL IS 6".
- TANK USED AS HOLDING TANK:
 - 12" MANHOLE RISER (ACCESSORY ITEM #3) IS CAST INTO THE COVER, IN PLACE OF ONE OF THE OPENINGS.
 - CONCRETE ADHERES TO COARSE SURFACE OF MANHOLE, AS WELL AS LOWER TONGUE & GROOVE.
 - VENT OR OBSERVATION HOLE IN PLACE OF THE OTHER OPENING. (ACCESSORY ITEM #6)
 - OUTLET TO BE PLUGGED BY APPROVED MEANS.
- MINIMUM CONCRETE COMPRESSIVE STRENGTH FOR THE TANK BASE & COVER, AND MANHOLE RISER & COVER IS 4,000 PSI.
- SCH. 40 PVC OR CAST IRON PIPE, WHEN USED, WILL CONFORM TO ILHR TABLES 84.30-1&2 OF THE WISCONSIN ADMINISTRATIVE CODE.
- SEALANT FOR TANK COVER AND MANHOLE RISERS IS CONSEAL CS-101.



N.P.C.A. CERTIFIED PLANT & MEMBER OF:
 NATIONAL & WISCONSIN PRECAST CONCRETE ASSOCIATIONS

THIS DRAWING SHALL NOT BE COPIED OR SUBMITTED TO OTHERS WITHOUT THE CONSENT OF THIS COMPANY.

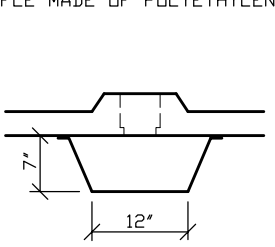
HUFFCUTT CONCRETE, INC.
 4154 123rd STREET
 CHIPPEWA FALLS, WI 54729
 (715) 723-7446 * FAX (715) 723-7111 * (800) 924-1516 * www.huffcutt.com

TANK: ACCESSORIES

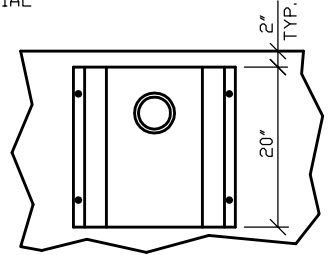
ACCESSORY ITEM #5

BAFFLE

- BAFFLE IS ATTACHED BY (4) 1/4" x 1 1/2" RAWL NYLON NAIL ANCHORS
- BAFFLE MADE OF POLYETHYLENE MATERIAL



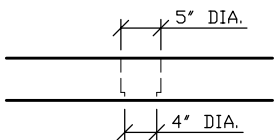
TOP VIEW



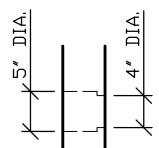
SIDE VIEW

ACCESSORY ITEM #6

BOSS STOP



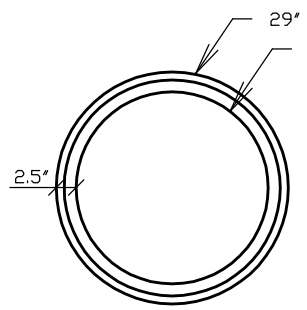
COVER



TANK WALL

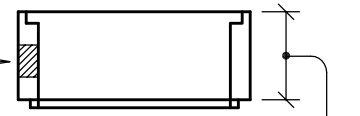
ACCESSORY ITEM #7

MANHOLE RISER WITH 4" OPENING



TOP VIEW
LIQUID CAP.

29" OUTSIDE DIAMETER
24" INSIDE DIAMETER
4" SCH. 40 PVC COUPLING OR
APPROVED CAST-IN GASKET
(ACCESSORY ITEM #9)



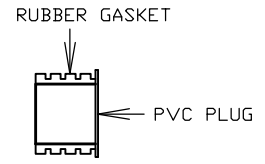
6", 12", OR 24" HIGH SECTIONS

SIDE VIEW

ACCESSORY ITEM #8

OUTLET OR INLET PLUG

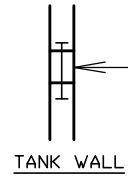
OUTLET PLUGGED FOR HOLDING TANK
AND FOR GREASE INTERCEPTOR TANK.



ACCESSORY ITEM #9

CAST-IN GASKET

APPROVED
CAST-IN GASKET
(NO BOSS STOP)



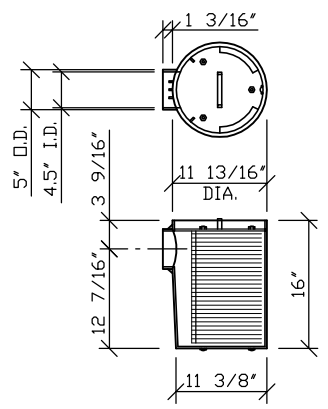
TANK WALL

ACCESSORY ITEM #10

BEST GF 10-8 FILTER (OR EQUAL)

NOTE:

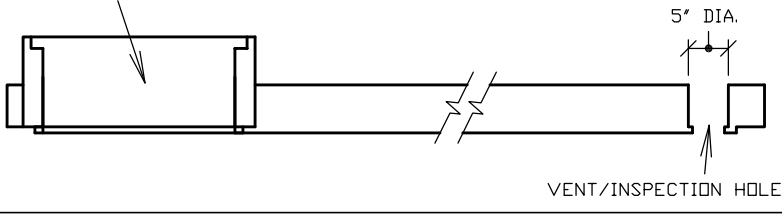
ONE END OF A 4" SCH. 40 PVC PIPE
IS GLUED INTO FILTER OPENING &
THE OTHER END IS INSERTED THRU THE
BOSS STOP WITH A GASKET OR GLUED
TO A 4" SCH. 40 PVC COUPLING.



ACCESSORY ITEM #11

HOLDING TANK TOP (SECTION VIEW)

MANHOLE RISER (ACCESSORY #3) USED IN OPENING



VENT/INSPECTION HOLE

N.P.C.A. CERTIFIED PLANT
&
MEMBER OF:
NATIONAL & WISCONSIN PRECAST CONCRETE ASSOCIATIONS

THIS DRAWING SHALL NOT
BE COPIED OR SUBMITTED
TO OTHERS WITHOUT THE
CONSENT OF THIS COMPANY.

HUFFCUTT CONCRETE, INC. 4154 123rd STREET
CHIPPEWA FALLS, WI 54729
(715) 723-7446 * FAX (715) 723-7111 * (800) 924-1516 * www.huffcutt.com

TANK:
ACCESSORIES

