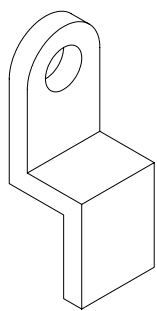
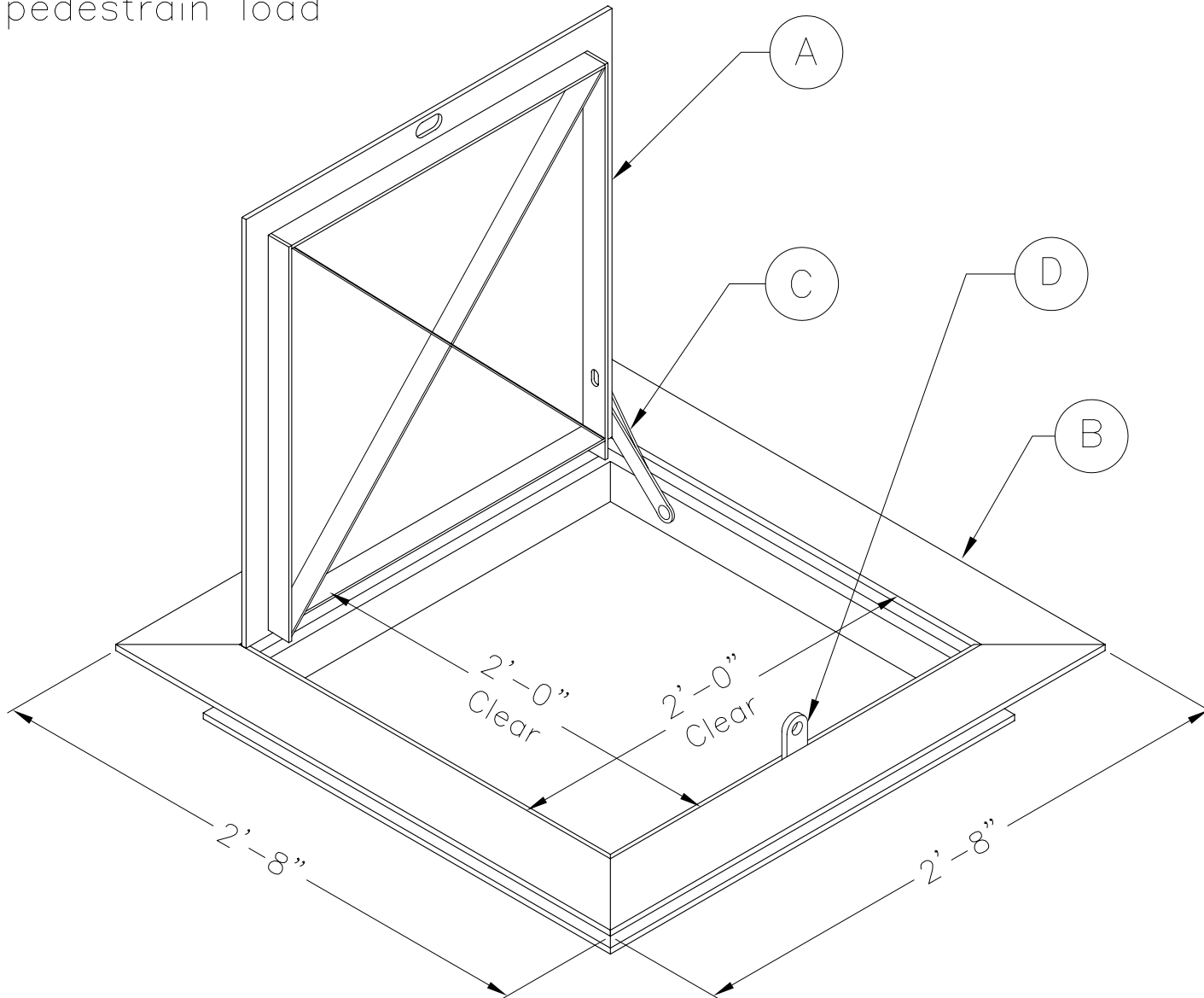




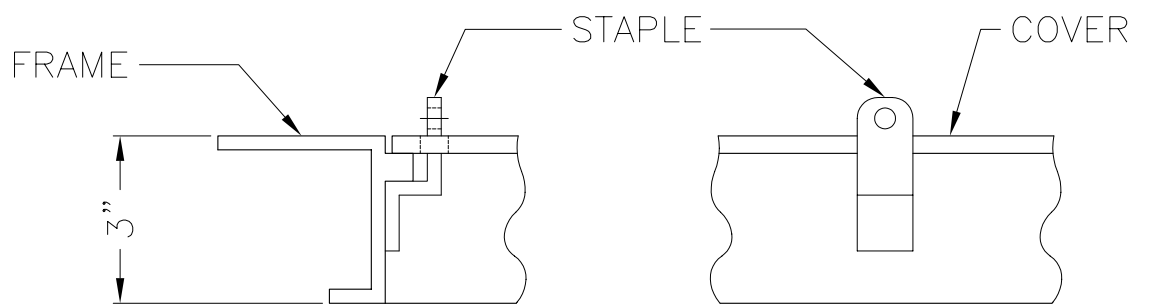
746 North Coney Avenue Azusa, CA 91702  
 Telephone: (626) 334-9304 Fax: (626) 969-3404

INWESCO, Inc - Texas  
 2824 N. Sylvania Av. Ft. Worth, TX 76111  
 Telephone: (817) 834-3310 Fax: (817) 834-3315

2'-0" x 2'-0" Hinged Aluminum  
 Cover & Frame Assembly  
 300 psf pedestrain load



STAPLE FORM



STAPLE POSITION

- A. Hinged Covers are 6061-T6 Alum diamond plate
- B. Frame Assembly available in both cast in or skirted
- C. KickStand prevents the cover from accidentally closing
- D. Staple

Features

- Stainless steel hardware
- Frame and Covers are 6061-T6 Alum - Mill Finish
- Covers available with security bolts or locking mechanisms
- Covers available with either lifting handles or pick holes
- Other sizes available upon request



Prepared By: W.B  
 Date: 08-04-08

2'-0" x 2'-0" Hinged Aluminum  
 Cover and Frame Assembly