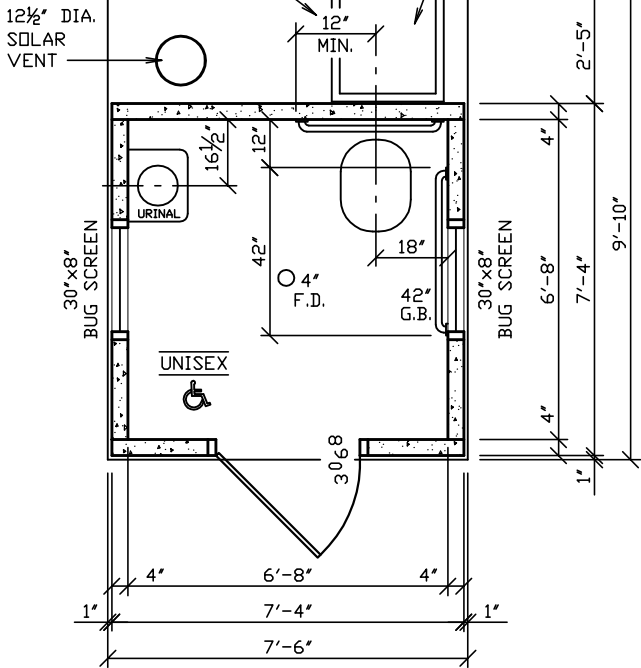
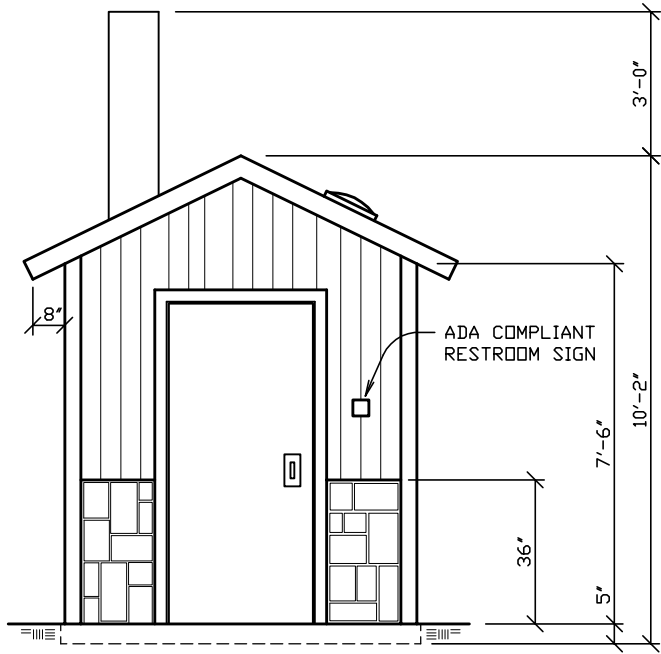


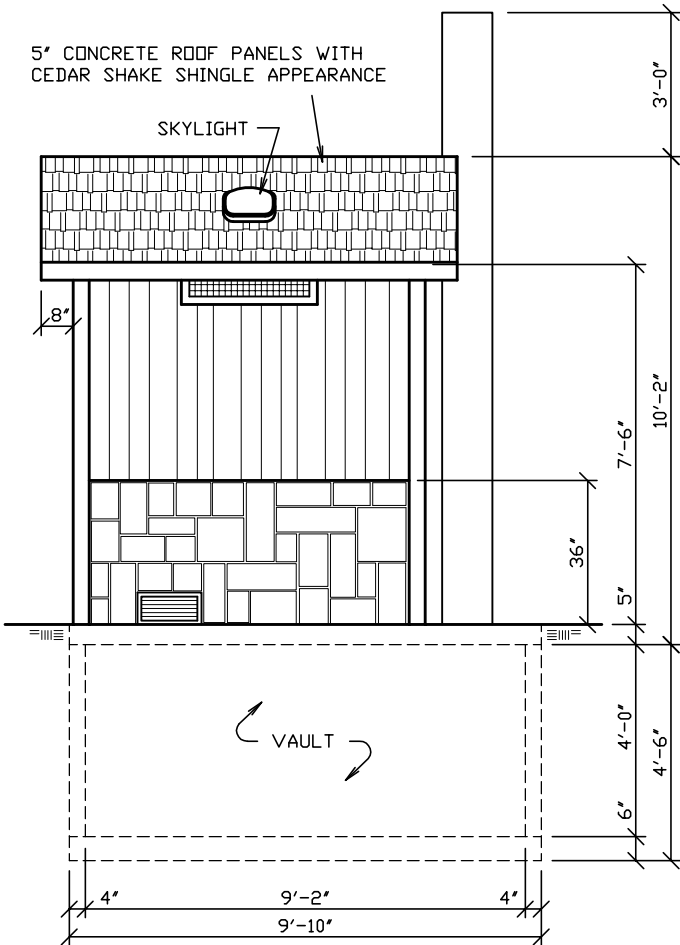
36" GRAB BAR @ 12" EITHER SIDE OF TOILET'S CENTER
 24"x24" I.D. ALUMINUM HATCH ACCESS



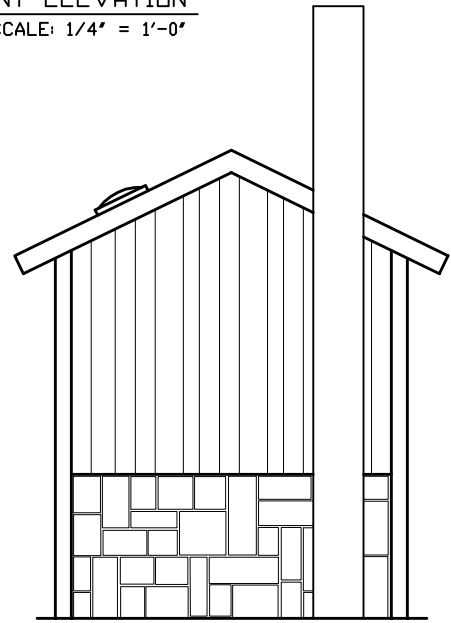
FLOOR PLAN
 SCALE: 1/4" = 1'-0"



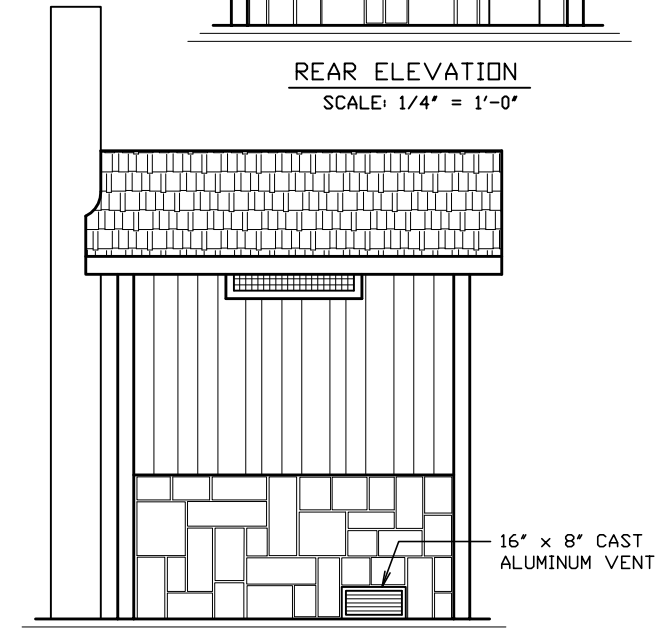
FRONT ELEVATION
 SCALE: 1/4" = 1'-0"



RIGHT ELEVATION
 SCALE: 1/4" = 1'-0"



REAR ELEVATION
 SCALE: 1/4" = 1'-0"



LEFT ELEVATION
 SCALE: 1/4" = 1'-0"

N.P.C.A. CERTIFIED PLANT & MEMBER OF:
 NATIONAL & WISCONSIN PRECAST CONCRETE ASSOCIATIONS

THIS DRAWING SHALL NOT BE COPIED OR SUBMITTED TO OTHERS WITHOUT THE CONSENT OF THIS COMPANY.

HUFFCUTT CONCRETE, INC.
 4154 123rd STREET
 CHIPPEWA FALLS, WI 54729
 (715) 723-7446 * FAX (715) 723-7111 * (800) 924-1516 * www.huffcutt.com

PROJECT:
 PT175 BUILDING