

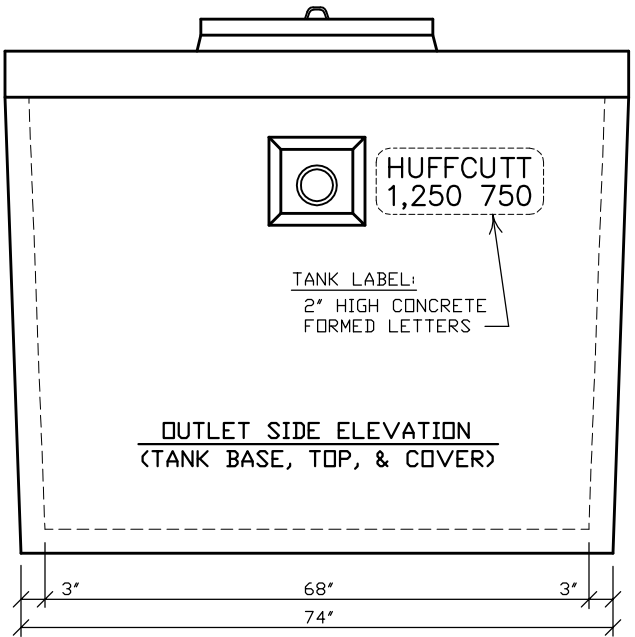
N.P.C.A. CERTIFIED PLANT
&
MEMBER OF:
NATIONAL & WISCONSIN PRECAST CONCRETE ASSOCIATIONS

THIS DRAWING SHALL NOT BE COPIED OR SUBMITTED TO OTHERS WITHOUT THE CONSENT OF THIS COMPANY.

HUFFCUTT CONCRETE, INC. 4154 123rd STREET
CHIPPEWA FALLS, WI 54729
(715) 723-7446 * FAX (715) 723-7111 * (800) 924-1516 * www.huffcutt.com

TANK:
MicroFAST .9 & .75 PUMP
1250/750

1
R
N

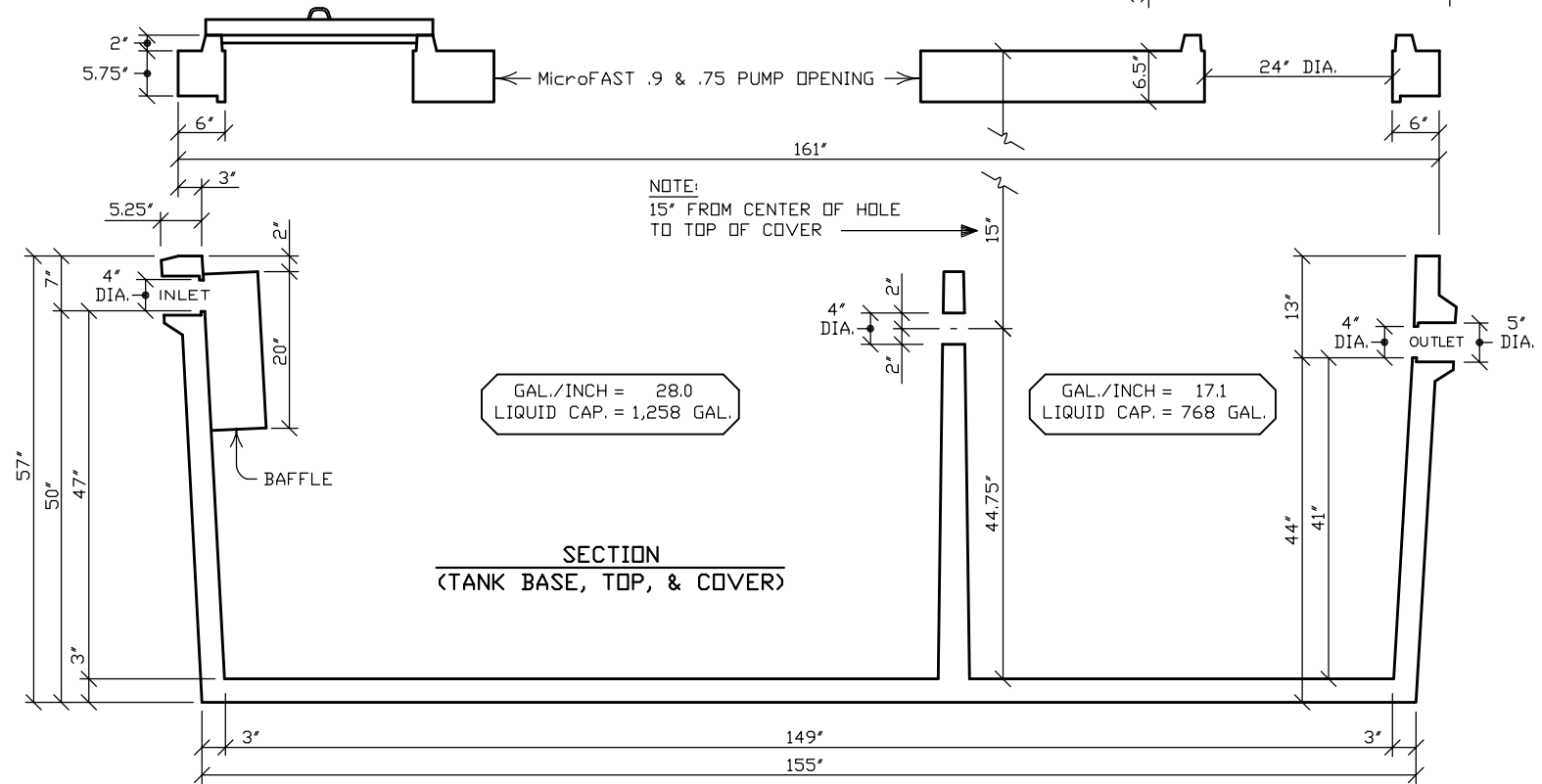
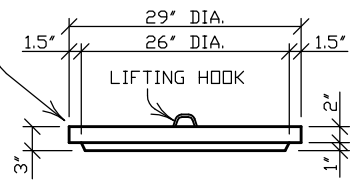
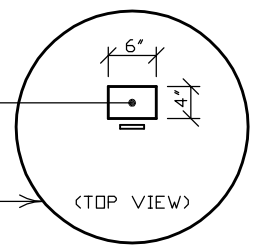


OUTLET SIDE ELEVATION
(TANK BASE, TOP, & COVER)

NOTE: MAX. DEPTH OF BURY = 48" FROM TOP OF GRADE TO TOP OF COVER

WARNING LABEL EMBEDDED INTO CONCRETE COVER READS AS FOLLOWS:
CAUTION:
DO NOT ENTER WITHOUT PROPER VENTILATION.
COULD CAUSE DEATH...DANGEROUS GAS.

29" DIAMETER CONCRETE COVER (TYPICAL)
SEE "ACCESSORIES" FOR OTHER COVER OPTIONS



SECTION
(TANK BASE, TOP, & COVER)

N.P.C.A. CERTIFIED PLANT
&
MEMBER OF:
NATIONAL & WISCONSIN PRECAST CONCRETE ASSOCIATIONS

THIS DRAWING SHALL NOT BE COPIED OR SUBMITTED TO OTHERS WITHOUT THE CONSENT OF THIS COMPANY.

HUFFCUTT CONCRETE, INC.
4154 123rd STREET
CHIPPEWA FALLS, WI 54729
(715) 723-7446 * FAX (715) 723-7111 * (800) 924-1516 * www.huffcutt.com

TANK:
MicroFAST .9 & .75 PUMP
1250/750

